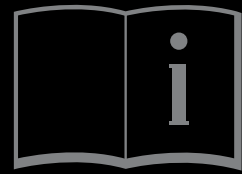
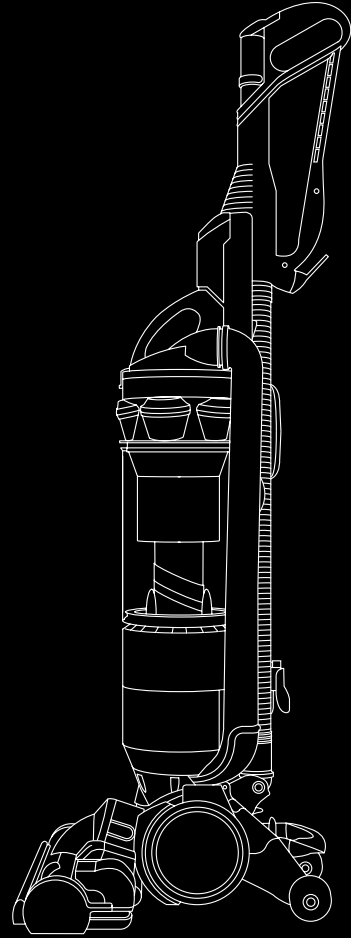
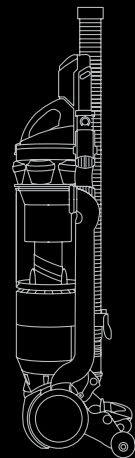


DC
18



dyson slim

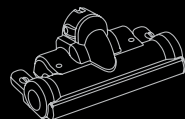
Box contents



+



+



+



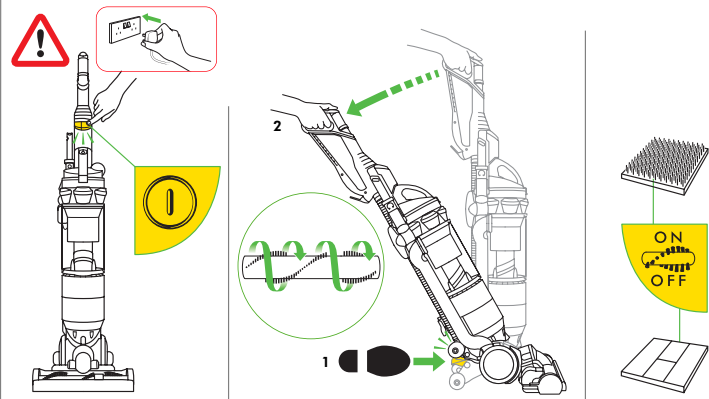
* Selected models only

dyson

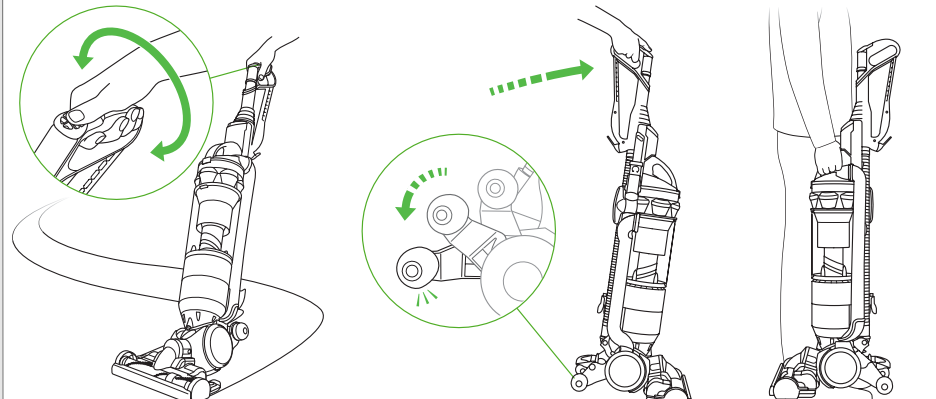
JN: 16481 TITLE: DC18 SA OP Manual
PROOF NO: 02 DATE: 06.12.06 ARTWORKER: DMCC
FLAT SIZE: (W) 210 mm x (H) 297 mm PROOF SIZE: 80 %
COLOUR SPEC: CMYK

PROOF SIGNED OFF
STUDIO
CREATIVE
 AMENDS REQUIRED
ACCT. MGR./TRAFFIC
BRIEF OWNER

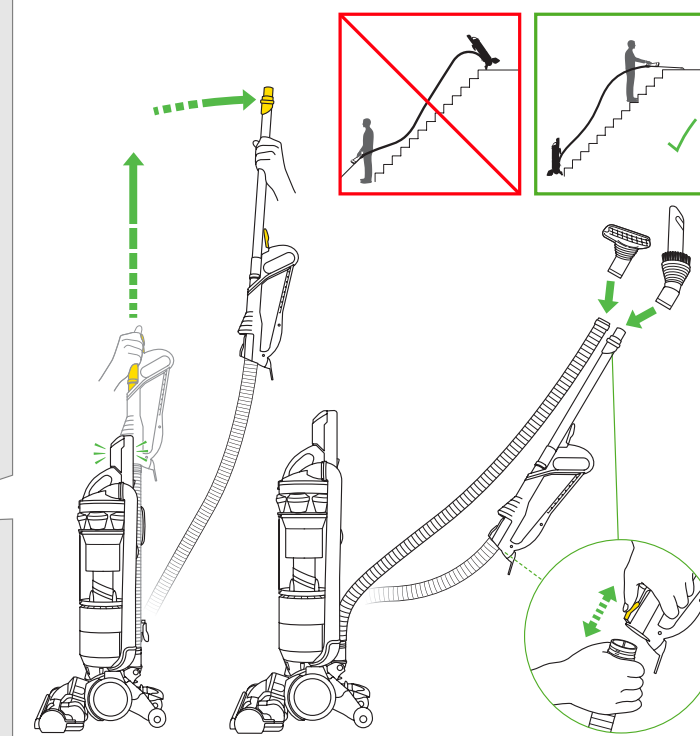
Power/brushbar controls



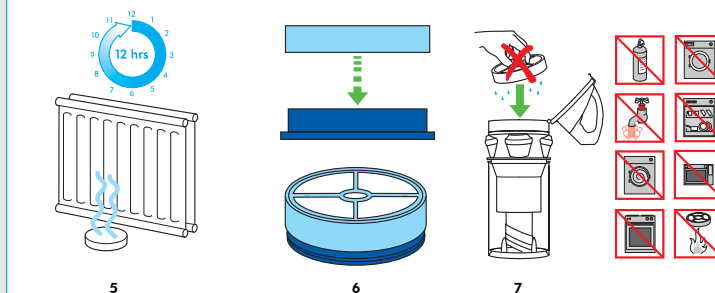
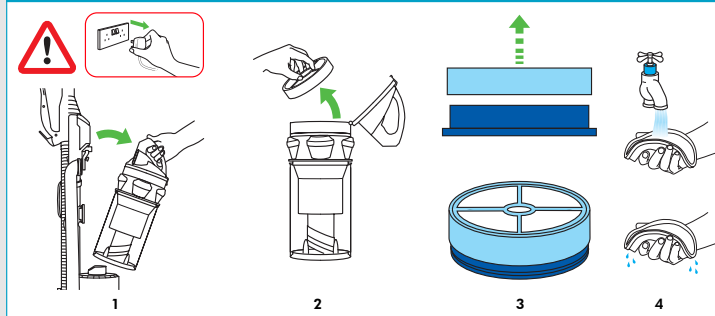
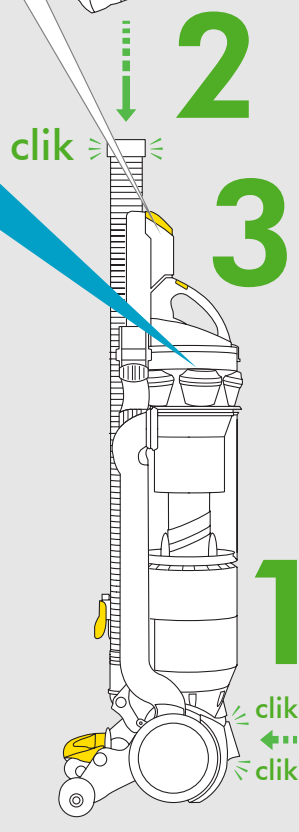
Using your DC18



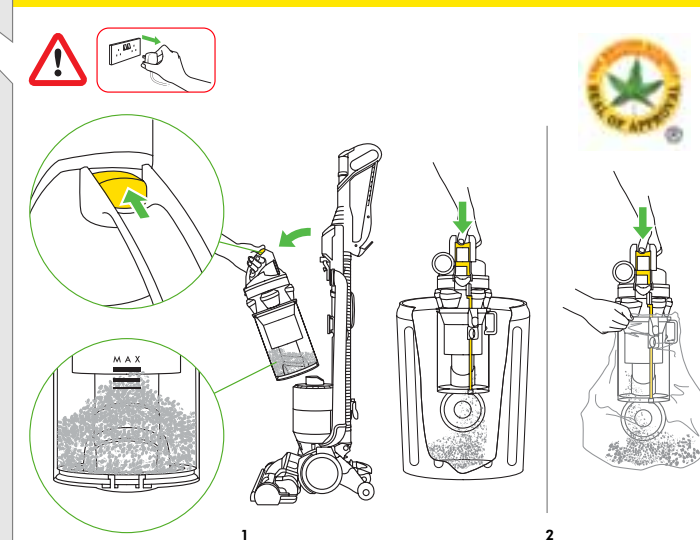
Wand release & using tools



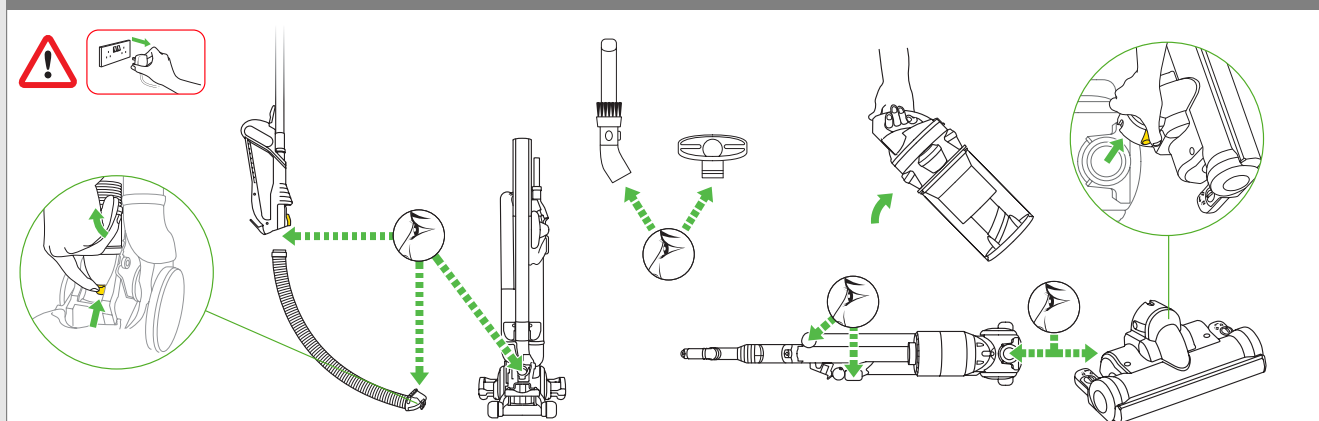
Washing filter



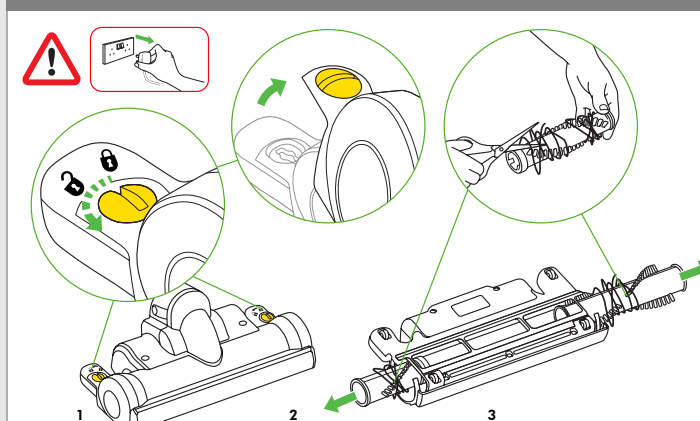
Emptying the Clear bin™



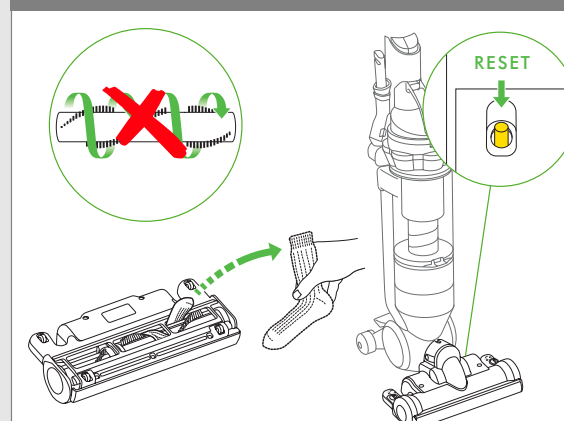
Clearing blockages



Clearing brushbar



Brushbar reset



**IMPORTANT SAFETY INFORMATION**

Take care to ensure objects or body parts are not inserted into the cleaner head.

This appliance is not intended for use by persons (including children) with reduced physical, sensory or mental capabilities, or lack of experience and knowledge, unless they have been given supervision or instruction concerning use of the appliance by a person responsible for their safety. Children should be supervised to ensure that they do not play with the appliance.

The plug must be removed from the socket outlet before cleaning or maintaining the appliance.

Check to ensure your electricity supply corresponds to that shown on the rating plate, which can be found behind the bin. The machine must only be used as rated.

If the supply cable or the cleaner is damaged, disconnect from the socket immediately. The cable must be replaced by Dyson or our appointed agent to avoid a hazard.

Do not use the cleaner if the cable or plug are damaged or if the cleaner has been damaged, dropped or has come in to contact with water or any other liquid. In these cases, contact Dyson Customer Care.

When vacuuming, certain carpets may generate small static charges in the Clear bin™. These are entirely harmless and not associated with the power supply.

Do not use the cleaner if any parts appear to be faulty, missing or damaged.

Do not carry out any maintenance work other than that shown in this manual or advised by Dyson Customer Care, and do not put anything into the openings or moving parts of the machine.

Only use parts recommended by Dyson; failure to do so could invalidate your guarantee.

If you have a query about your Dyson, call Dyson Customer Care with your serial number, which can be found on the rating plate behind the bin.

European conformity information

A sample of this product has been tested and found to be in conformity with the following European Directives: 73/23/EEC Low voltage (safety) Directive, 93/68/EEC CE Marking Directive and 2004/108/EC EMC Directive.

Product information

Product weight: 6.7kg, Voltage: 230-240V, Maximum Power: 1200 WA. Small details may vary from those shown.



Do not pull on the cable



Do not use near naked flame



Do not use near heat sources



Do not run over the cable



Do not pick up water or liquids



Do not pick up burning objects



Do not use above you on the stairs



Do not put your hands near the brushbar when the cleaner is in use

This product is protected by the following intellectual property rights:

Patent/Patent Application numbers:

US 2004/0128789, JP 2004-537336, EP 1361812, AU 744408, EP1119282, JP 2002-527132, US 6,519,807, AU 2002231965, EP 1361813, JP 2002-567126, US 2004-0068829, AU 744362, EP 1121043, JP 2002-527131, US 6,572,078, GB 0326102.1, AU 2002226556, EP 1370172, JP 2004-528876, US 2004-0074213, AU 2002225207, EP 1361814, JP 2004-520137, AU 2001240894, EP 1268076, JP 2003-528704, US 6,835,222, AU 2002-225232, EP 1361815, JP 2004-520139, US 6,974,488, AU 637 272, EP 0636338, JP 1948 863, US 5,078,761, AU2003-283159, EP 1526797, JP 2005-534442, US 2005-0223516, AU 2003-283161, EP1526798, JP 2006-50 3608, US 10/523246, GB 2422094

USER GUIDE**Assembly**

Ensure hose is straight when inserting wand.

The use of an extension cord is not recommended.

Store the machine indoors. Put the vacuum cleaner away after use with the cord coiled safely, to prevent tripping accidents.

1 Brushbar control

The brushbar will re-set to "ON" each time you start the machine and put it in the cleaning position.

To turn the brushbar off, turn the machine on and press the brushbar on/off button.

The brushbar will automatically stop if it becomes obstructed.

If the brushbar stops during use, please refer to the brush bar reset section.

2 Usage and carrying

Caution Please note: this machine is intended for domestic use only. Fine dust such as plaster dust or flour should only be vacuumed in very small amounts.

Do not press the cyclone release button while carrying the machine or it could fall and cause injury.

Ensure the cyclone is secured to the machine.

Do not shake the machine while carrying or it could fall and cause injury.

When finished cleaning, push machine into an upright position to drop stabilizing wheels.

Ensure wheels are fully locked in place before releasing the cleaner.

Consult your flooring manufacturer's recommended instructions before vacuuming and caring for your flooring, rugs, and carpets. Some carpets will fuzz if a rotating brushbar is used when vacuuming. If this happens, we recommend vacuuming in hard floors mode and consulting with your flooring manufacturer.

3 Wand release/using tools

Ensure machine is in upright position before using tools.

To protect your floors, the brushbar will not rotate when the machine is in an upright position.

Ensure hair and loose clothing are kept clear of wand cap when machine is switched on.

Ensure wand cap is closed, unless using with tools.

Powerful suction can cause the hose to 'pull back' - please take care when cleaning stairs.

To avoid personal injury and to prevent the machine from falling when cleaning stairs, always place it at the bottom of the stairs.

Do not use your vacuum cleaner outdoors or on wet surfaces. Vacuum may be used inside a garage only with the Model 08909 Dyson Car Cleaning Kit accessories. If used in a garage, care should be taken to wipe the soleplate and wheels with a dry cloth after vacuuming to clean off any sand, dirt, or pebbles which could damage delicate floors.

4 Emptying the Clear bin™

Empty as soon as the dirt reaches the level of the max mark – do not overfill.

Turn power off and unplug before emptying the bin. Failure to do so could result in electric shock or personal injury.

Do not use the machine without the clear bin in place.

The British Allergy Foundation is a UK national charity with the aim of improving awareness, prevention and treatment of allergies.

The British Allergy Foundation Seal of Approval is a UK registered trademark.

5 Cleaning the Clear bin™

Clean the shroud with a cloth or dry brush.

Rinse the Clear bin™ with cold water only. Ensure bin is dry before replacing.

Do not use detergents, polishes or air fresheners to clean the Clear bin™.

Do not immerse the whole cyclone in water.

Do not put the Clear bin™ in a dishwasher.

Ensure Clear bin™ is completely dry before replacing.

6 Clearing blockages/brushbar

Please note: clearing blockages is not covered by your machine's limited warranty.

Turn power off and unplug before checking for blockages. Failure to do so could result in electric shock or personal injury.

If any part of your machine becomes blocked, it may overheat and then automatically shut off. Unplug machine and leave to cool down. Clear blockage before restarting.

Please ensure you check your brushbar regularly for any build up of hair or other blockages.

Please ensure machine is upright before removing hose or airway inspection parts.

Beware of sharp objects when clearing blockages.

Refit all parts of the machine securely before using.

7 Washing filter

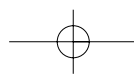
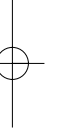
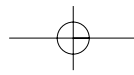
Check your filter regularly and wash at least every 3-6 months according to instructions to maintain performance.

Turn power off and unplug before washing the filter. Failure to do so could result in electric shock or personal injury.

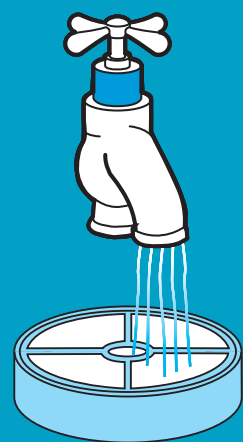
The filter may require more frequent washing if vacuuming fine dust.

Do not use detergent to clean filter.

Do not put the filter in the dishwasher, washing machine, tumble dryer, microwave or near an open flame.



Very important



3-6 Months

Remember

Check your filter regularly and wash at least every 3 to 6 months.



UK Dyson Customer Care
service@dyson.co.uk
0800 279 5127
Dyson Ltd, Tetbury Hill, Malmesbury, Wiltshire SN16 ORP

AU Dyson Customer Care
dyson@dyson.com.au
1800 239 766
Dyson Appliances (Aust) Pty Ltd, PO Box 2175, Taren Point, Australia,
NSW 2229

NZ Dyson Customer Care
dyson@averyrobinson.co.nz
0800 397 667
Avery Robinson Ltd, Unit F, 151D Marua Road, Ellerslie, Auckland

SGP Dyson Customer Care
singapore@dyson.com
7000 435 75 46
Service@home Pte Ltd, 2 Leng Kee Road,
#04-09A Thye Hong Centre, Singapore 159086

IND Dyson Customer Care
service@higienis.com
021 707 39766
PT. Higienis Indonesia, Office and Service Center: Plaza Permata,
Top Floor, TF-04, Jl. M. H. Thamrin Kav. 57, Jakarta 10350, Indonesia

SA Dyson Customer Care
dyson@telkomsa.net
086 111 5006
P.O. Box 37153, Chempet, 7442, South Africa

www.dyson.com